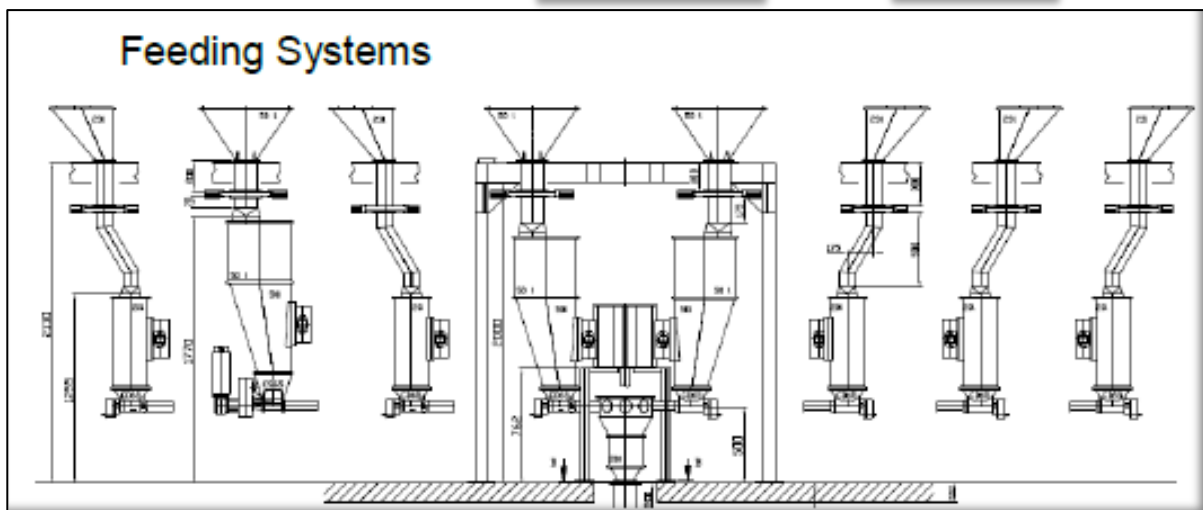
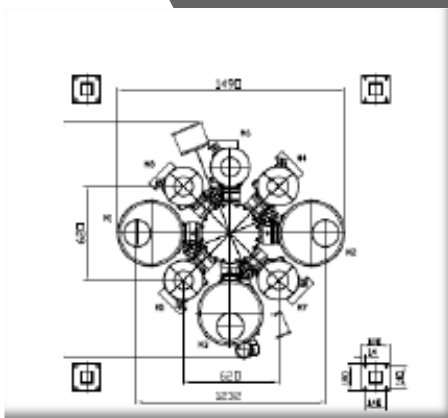
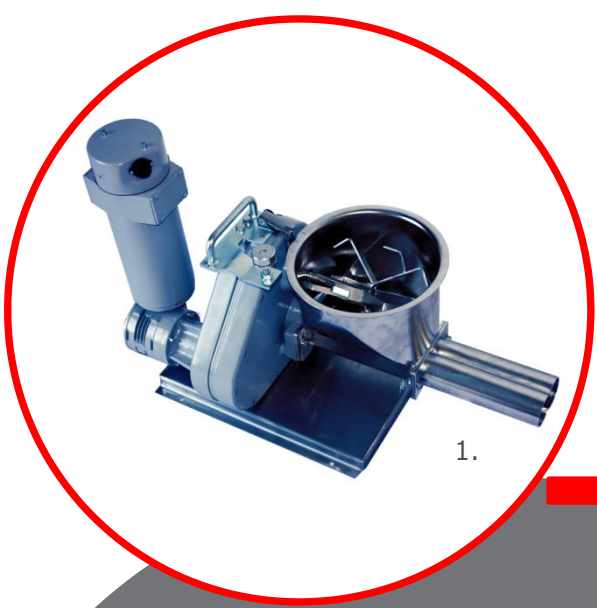


# DOSING & BLENDING

## GRAVIMETRIC LOSS-IN-WEIGHT FEEDERS





1.

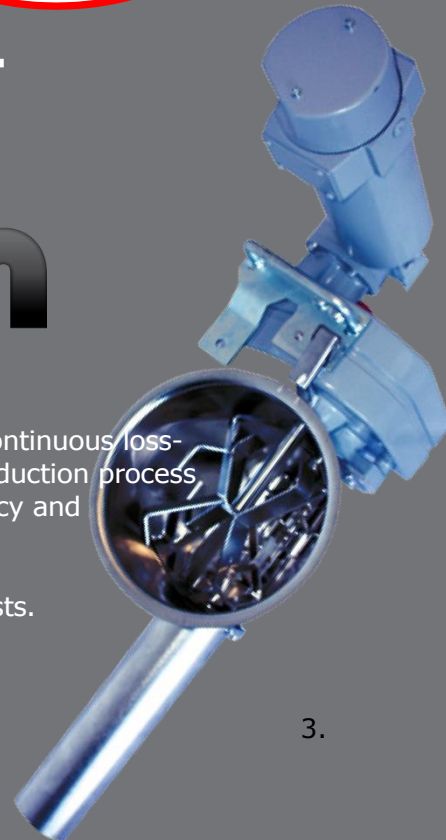


2.

## THE ADVANTAGES OF



Thanks to the use of digital control technology, the OSB continuous loss-in-weight dosing and mixing system ensures that the production process achieves high levels of quality in terms of dosing constancy and accuracy, even when dosing very low material throughputs. This can result in a significant reduction in production costs.



3.

1. AT 35 twin screws dosing module
2. AT 20 twin screws dosing module
3. AS 60 single screw dosing module
4. Single frame dosing unit AS 60



4.

## MECHANICAL CONSTRUCTION

Mechanical construction

- Modular design
- Compact construction
- For use with powders, liquids and granules
- Surfaces in direct contact with the material are made of stainless steel
- Available with integrated material refilling and loading
- ATEX version

# DOSING & BLENDING

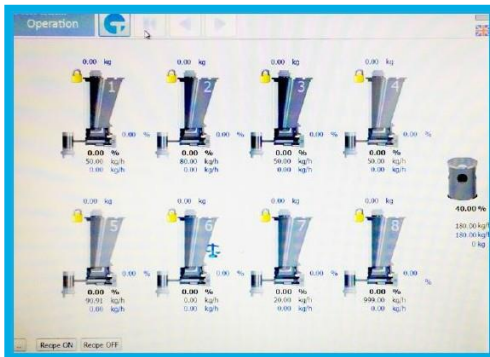


5. OSB dosing station

6. AS25 lab line

7. S2 Touch

## S2 SYSTEM GRAVIMETRIC DOSING CONTROL



7.

The Orbetron dosing control system S2 is a computerized closed-loop control for the OSB/GBM+ gravimetric dosing and blending unit. A maximum of 24 dosing units can be controlled in up to 4 lines. Data entry can be made during production by means of a 15" TFT-LED touch screen on a graphical user interface. Operation is menu-driven and can be password protected. The control offers graphical and numerical display of the operation parameters of the entire installation. In the event journal, all changes in the settings and all alarm messages are time stamped.

- **Orbetron's dosing control systems are completely maintenance-free and designed for 7 days, 24-hour operation, internet and wi-fi connection.**
- **Orbetron's dosing control systems meets the European requirements and can be UL Certified.**

**Blending**  
**Free-flowing**  
**Quickchange**  
**Single-screw**  
**Flake**  
**Non-free-flowing**  
**Disc-feeding**  
**Low-rate-feeding**  
**Pellets**  
**Twin-screw**  
**Powders**  
**Feeding**  
**Orbetron**  
**Granulate**



**Orbetron Headquarters**

45 Industrial Rd., Suite 208  
Cumberland, RI 02864 USA  
Tel.: 856.472.0268 – Fax 715.254.9490  
e-mail [salesinfo@orbitron.com](mailto:salesinfo@orbitron.com)  
[www.orbitron.com](http://www.orbitron.com)

**Orbetron South**

1415 Cross Beam Dr., STE B  
Charlotte, NC 28217 USA  
Tel.: 856.472.0268 – Fax 715.254.9490  
e-mail [salesinfo@orbitron.com](mailto:salesinfo@orbitron.com)  
[www.orbitron.com](http://www.orbitron.com)