

## OS30-OT18 Series Gravimetric Feeder

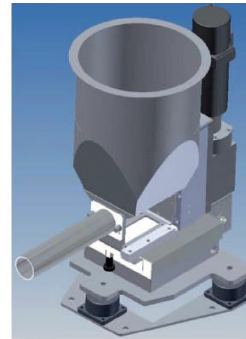
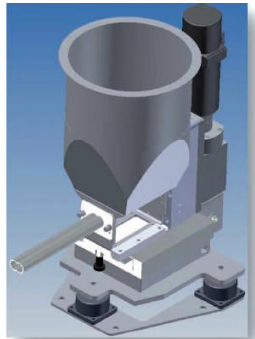
### Description

CT System's AS30, AT18 feeders are specially designed to feed free-flowing products as well as poor-flowing powders at very low rates. The removable feed hopper makes it ideal for applications that require quick material changes. To make a material change, just remove the existing hopper and replace it with a new clean hopper. The removable feed hopper can also be used as a storage container, completely eliminating cleaning and the possibility of product contamination.

These include a single screw hopper to feed free-flowing products, twin screw with horizontal agitator to feed the most difficult products. The feeder can be easily integrated with gravimetric or volumetric controls, as well as installed separately or in a production line with multiple feeding devices.

### Applications

- Volumetric continuous or batch
- Gravimetric loss-in-weight continuous
- Gravimetric loss-in-weight batch
- Gravimetric gain-in-weight



### Industries

Pharma

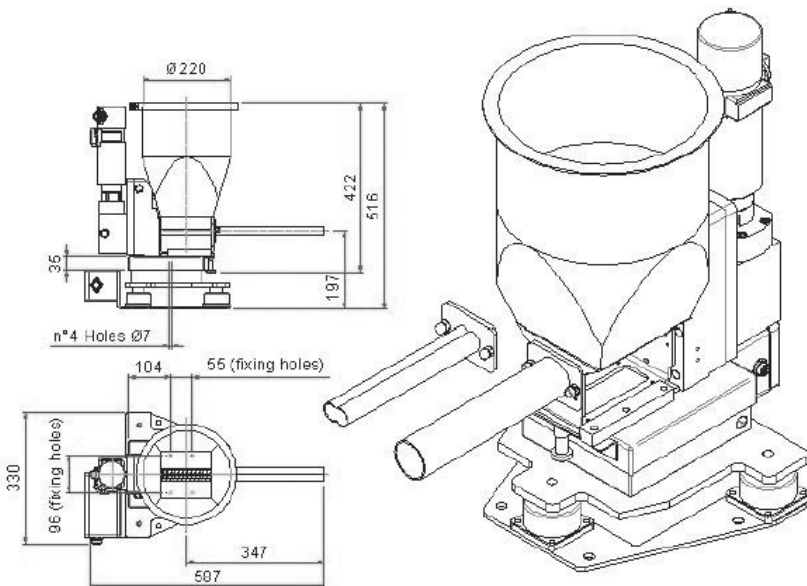
Food

Packaging

Chemical

Lab

Agricultural






## Design

- Compact feeder and gear box design
- High modularity for easy dismantling and cleaning
- Horizontal material outlet discharge
- Tool free change of the feeder screw
- Applicable for single spiral and auger screws
- All metal parts which are in material contact are in stainless steel 1.4404 (asi316L)
- Mechanical gear box with lifetime lubrication
- 370W DC motor with speed control in protection class IP 54
- Gear boxes in the sizes of 6:1/36:1
- Weight without accessories 13lb Volumetric, 30lb Gravimetric, Exchange hopper 18lb
- Conforms to **CE** directives

## Options

- Gravimetric and Volumetric controls
- Removable vertical outlet tube with the size of 4"
- Counter bearing for very poor flowing or heavy materials
- Hopper extension modules available upon request
- All sealing which are in material contact in silicon free style
- 230-460V 3PN 50-60Hz AC 370W and 750W motor with frequency inverter
- Bottom outlet for material discharge on request
- FDA certification according FDA CFR 21 #178.3570
- ATEX Zone inside 3D T140°C, 2D T140°C, AS75 2D T140°C/ 2G T4, 1D T140°C/2G T4
- ATEX Zone outside 3D T140°C, 2D T140°C/2G T4 

## Performance Table

Screw Type		Auger Screw		Spiral Screw		Concave Screw			
Gear	Speed	D12x5	D14x17	D14x10	D14x20	D14x20	D13x11 polished	D14x15	D13x11 polished
	1/min	dm <sup>3</sup> /h	dm <sup>3</sup> /h	dm <sup>3</sup> /h	dm <sup>3</sup> /h	dm <sup>3</sup> /h	dm <sup>3</sup> /h	dm <sup>3</sup> /h	dm <sup>3</sup> /h
6:1	25 - 470	1 - 16	5 - 94	Feb 43	4 - 74	1 - 15	1 - 15	2 - 35	2 - 38
36.1	4 - 78	0.1 - 2.7	0.8 - 16	0.4 - 7	0.6 - 12	0.1 - 2.5	0.1 - 2.5	0.3 - 5	0.3 - 6

### OT18

### OS30

Screw Type		Auger Screw			Spiral Screw	
Gear	Speed	D12x5	D17x17	D20x15	D16x12	D16x12
	1/min	dm <sup>3</sup> /h	dm <sup>3</sup> /h	dm <sup>3</sup> /h	dm <sup>3</sup> /h	dm <sup>3</sup> /h
6:1	21 - 392	1 - 10	2 - 47	4 - 78	4 - 67	7 - 125
36.1	3 - 65	0.1 - 1.5	0.4 - 8	0.7 - 13	0.6 - 11	1.1 - 21
6:1	21 - 392	13 - 251	27 - 521		19 - 357	31 - 588
36.1	3 - 65	2.2 - 42	5 - 87		3.1 - 59	5.2 - 98