



## OVF80 Series Vibratory Feeder

### Description

The Orbetron Vibratory Feeder OVF80 is suitable for dosing of free flowing flakes, fiber, glass fiber and as well as fragile chips and abrasive grained powder.

The compact, modular design gives the operator the flexibility to meet changing process requirements by adjusting the frequency range, achieving a wider feed rate range.

The vibration feeder assures a consistent dosing of easy-flowing and fragile bulk

materials. The electromagnetic vibration drive with a permanent magnet and spool is controlled via a frequency signal from the Orbetron O2 control.

Thanks to the O2 controller, it is possible to adjust the flow rate and therefore the dosage of the components in a precise and reliable.

The vibratory feeder series OVF are widely used in the chemical, pharmaceutical, food, plastics and packaging included inside the packaging.

**Industries**

**Pharma**

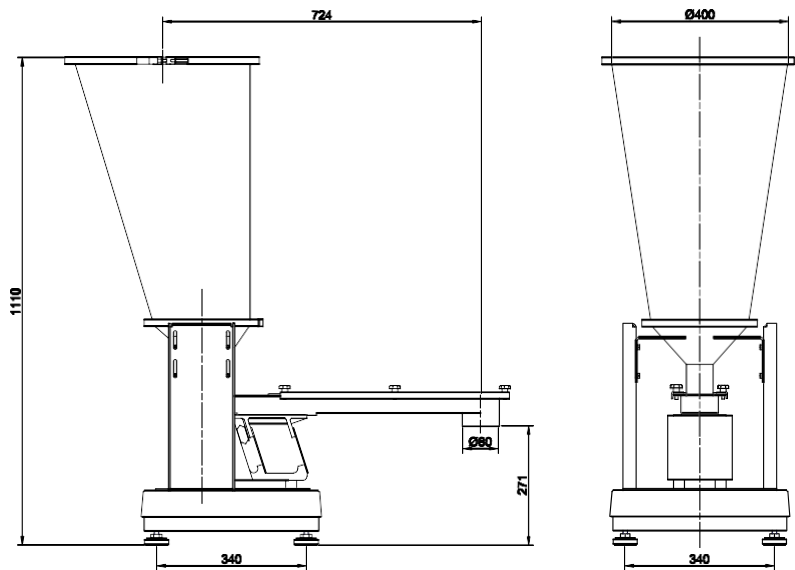
**Food**

**Packaging**

**Chemical**

**Lab**

**Agricultural**



All dimensions are in mm.  
 These dimensions are only guideline values.  
 Please ask for a technical drawing for binding measurements.






## Design

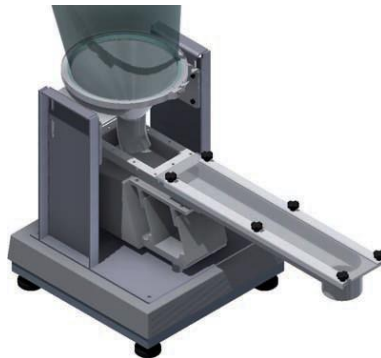
- Compact and modular construction in stainless steel AISI 304
- High modularity for easy dismantling and cleaning
- All parts in material contact are in stainless steel AISI 304
- Conforms to **CE** directives

## Applications

- Volumetric continuous or batch
- Gravimetric loss-in-weight continuous
- Gravimetric loss-in-weight batch
- Gravimetric gain-in-weight

## Options

- Stainless steel AISI 316 L
- Hopper extension modules in the sizes of 20l, 50l, 75l, 85l, 100l, 135l, 185l, special hoppers are on request available
- Flexible connection sleeves
- All sealing which are in material contact in silicon free style
- 230-460V 3PN 50-60Hz AC 370W motor with frequency inverter
- Different color on request
- FDA certification according FDA CFR 21 #178.3570
- ATEX Zone inside 3D T140°C, 2D T140°C, AS75 2DT140°C/2G T4, 1D T140°C/2G T4
- ATEX Zone outside 3D T140°C, 2D T140°C/2G T4 



## Performance Table

<b>OVF80</b>	<b>10–600 dm<sup>3</sup>/h</b>
OVF220	600–4000 dm <sup>3</sup> /h

