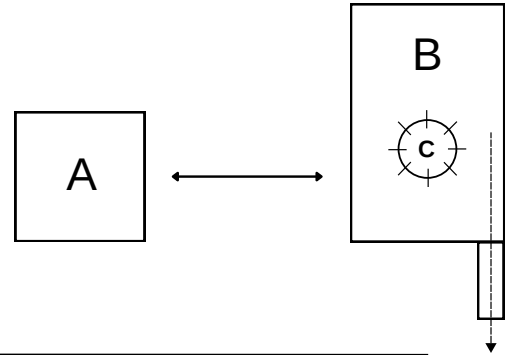


## Orbetron Disc System

### Typical application of OSDS:

- A. OC50 Controller
- B. OSDS
- C. Disc



### Description

Orbetron's OSDS Feeder is designed to have 1-3 feeding stations that utilize the Orbetron 50, 100, 150, & 200 Series Disc Feeders. Our OSDS is designed to have individual feeding streams to dispense materials as close to the screw as possible while allowing the virgin material to flow freely into the screw.

### Advantages:

- The size allows for unique mounting in tight areas where standard feeders will not fit.
- No other auger or vibratory feeder can match the disc feeder's capabilities, in terms of size, feeding capability, and repeatability.
- All of Orbetron's Disc series feeders are designed to handle bulk materials ranging from powder to pellets.
- Our standard design is aluminum with optional 304 or 316 SS for food or pharmaceutical applications.
- For those materials that have poor flow-ability, we incorporate material flow aids such as agitation & mechanical release devices.

### Specifications

- 110/220 Vac single phase 50/60 hz
- Stepper Motor Drive
- Volumetric/Gravimetric Capable (Batch/Continuous)
- Quick Exchange Housing
- Dose Powder, Granulate, and Pellet Materials
- Multiple Mounting Capabilities
- Separate Mounted Controls

### OC50 Controller

- Separate Mounted Controls
- HMI Color Touchscreen
- PLC Control with I/O for Stepper Motors

OSDS with 100 Series Feeder



## Design

- Standard disc sizes include 48, 24, & 12, holes per revolution. Special disc sizes are designed based on your feeding needs. We utilize 3D printing technology to help design the proper disc based on your materials.
- Disc feeders have quick exchange capability, by removing the tri-clamp the complete feeder section is removed, and then another feeder section can be set into place.
- Orbetron has incorporated the EZI-Dock™ refill containment system into our 100 Series models. This may require additional support to apply to our feeder. Additional information is available upon request.

## Options

- *Spare Station for Easy Changeover*
- *Optional material aids for Special Materials*
- *Extension Cable*
- *Acrylic and SS Hopper are available*
- *Small loader adaptation*
- *Multi-component capability of up to 3 units*
- *EZI-Dock™ options available*

OSDS with 150 Series Feeder  
including Conveying & 8020  
Mounting Configuration

