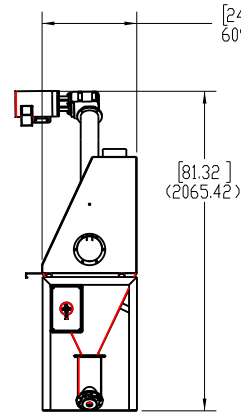
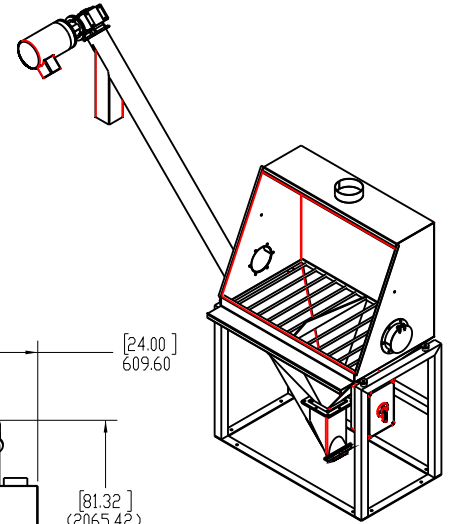
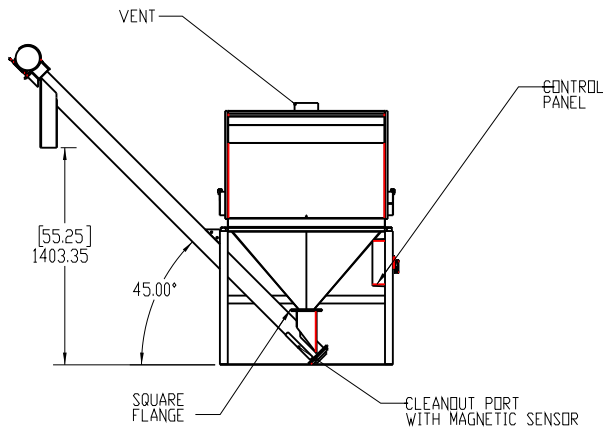
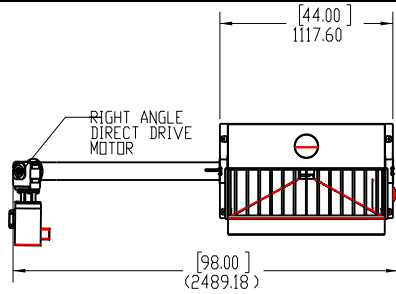



NOTES:

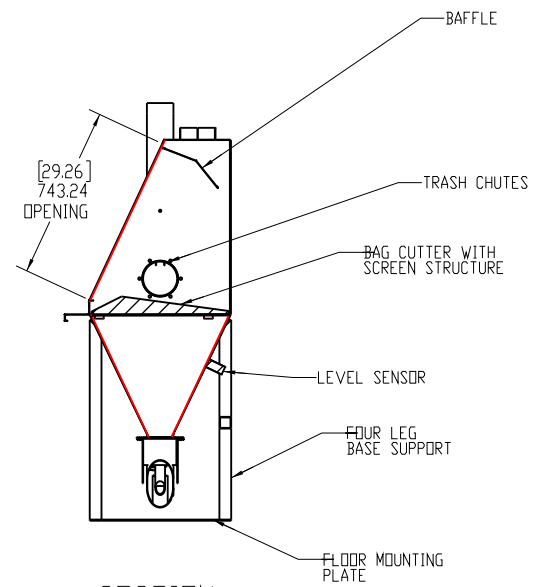
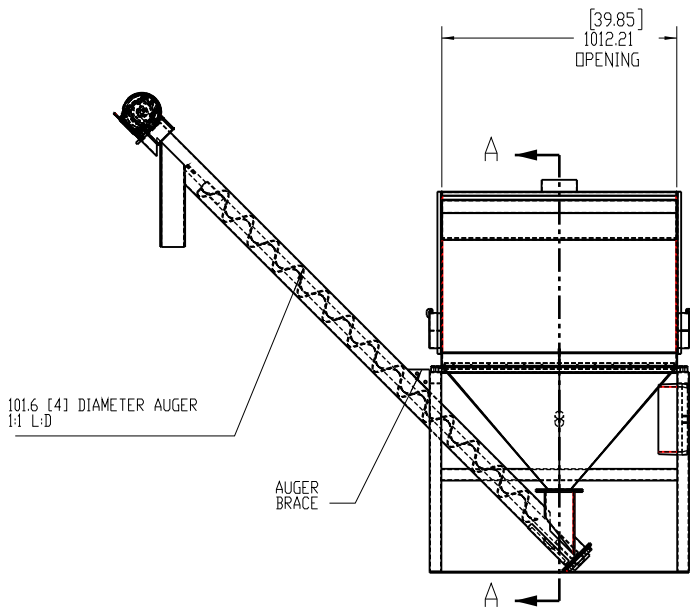


SYSTEM VOLUME: 13.14 CUBIC FEET

HOPPER VOLUME: 4.81 CUBIC FEET

THIRD ANGLE PROJECTION	SCALE 1:24	MATERIAL 304- ST1L STL HEAT TREAT	PART NAME OBBS-A5CF	
	FINISH ✓		FOR: DRB	
		DWN. BY: MJT DATE: 7-14-16 CHD:		
		APP'D. SUPERSEDES		
<small>PROPRIETARY: THE INFORMATION CONTAINED IN THIS DOCUMENT IS THE SOLE PROPERTY OF ORBETRON LLC. ANY REPRODUCTION IN PART OR AS A WHOLE WITHOUT THE WRITTEN PERMISSION OF ORBETRON LLC IS PROHIBITED.</small>		NUMBER REQ'D. 2	ITEM NO.	SHEET B
		NEXT ASSEMBLY	NUMBER	
		REVISION 1		

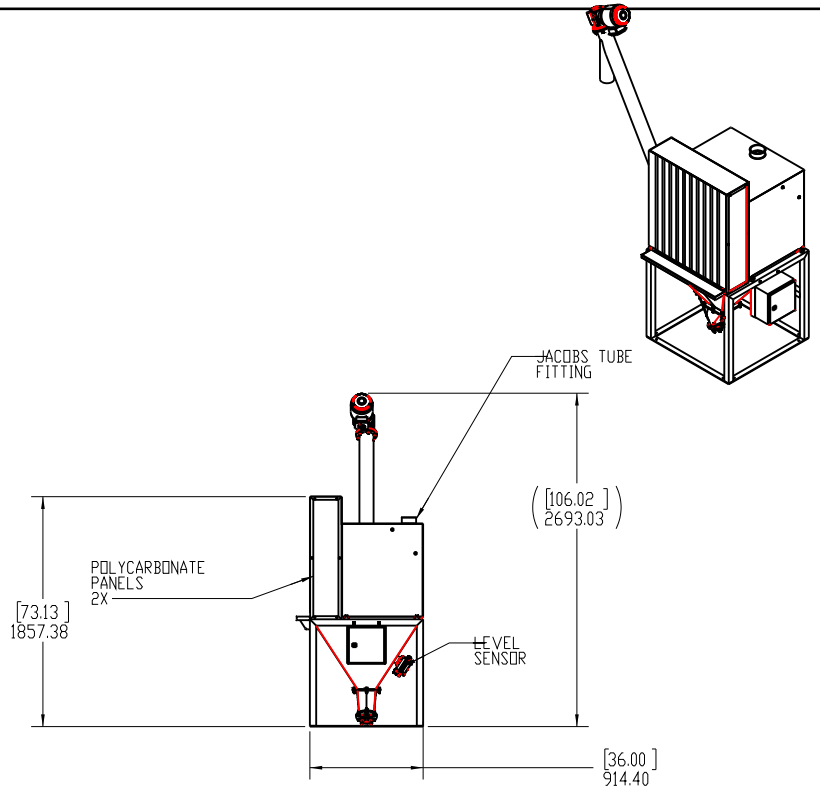
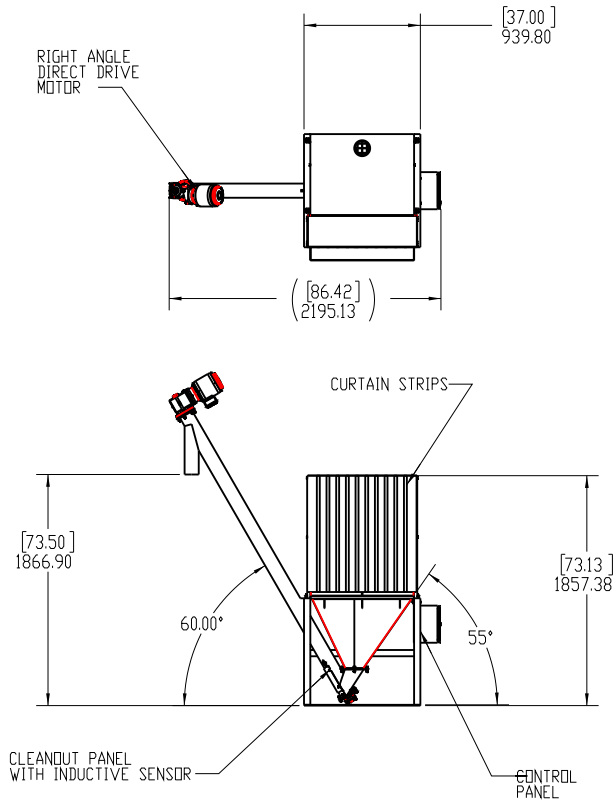
NOTES:




SECTION A-A
SCALE 1 : 16

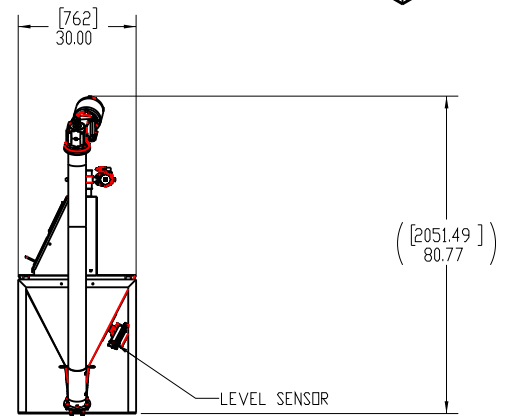
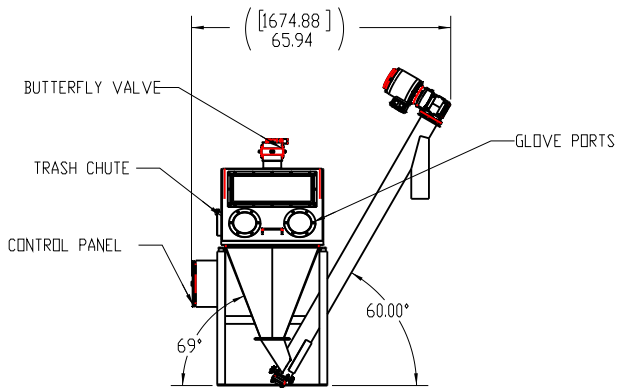
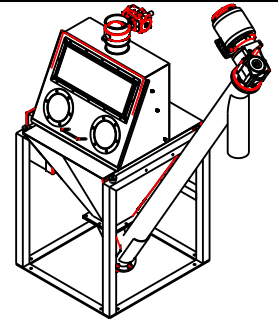
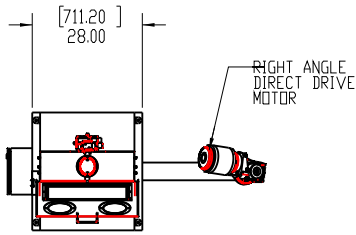
ALL DIMENSIONS IN INCHES UNLESS OTHERWISE NOTED DO NOT SCALE DWG. BREAK ALL SHARP CORNERS UNLESS OTHERWISE SPECIFIED TOLERANCE UNLESS NOTED: ONE PLACE (XXX) ±.020 TWO PLACE (XXX) ±.010 THREE PLACE (XXXX) ±.005 FOUR PLACE (XXXXX) ±.0005 FRACTIONAL (X/XX) ± 1/32 ANGLES ±	THIRD ANGLE PROJECTION	SCALE 1:25	MATERIAL 304-STL STL HEAT TREAT	PART NAME BAG BREAK STATION - TYPE 1
		FINISH ✓		FOR: DRB
	PROPRIETARY: THE INFORMATION CONTAINED IN THIS DOCUMENT IS THE SOLE PROPERTY OF ORBETRON LLC. ANY REPRODUCTION IN PART OR AS A WHOLE WITHOUT THE WRITTEN PERMISSION OF ORBETRON LLC IS PROHIBITED.	DWN. BY MJT DATE 7-14-16 QWB	APP'D. SUPERSEDES	NUMBER REQ'D 2 ITEM NO. NUMBER
			REVISION 1	ORB0024-100 B

NOTES



THIRD ANGLE PROJECTION	SCALE 1:24	MATERIAL 304 STN STL FINISH ✓ HEAT TREAT	PART NAME OBBS-A6CF
		FOR: DRB0024 DWN: BY _____ DATE _____ CHKD: _____ APP'D: _____ SUPERSEDES _____ NUMBER REQ'D _____ ITEM NO. _____ NEXT ASSEMBLY _____ NUMBER _____ REVISION _____	
PROPRIETARY: THE INFORMATION CONTAINED IN THIS DOCUMENT IS THE SOLE PROPERTY OF ORBETRON LLC. ANY REPRODUCTION IN PART OR AS A WHOLE WITHOUT THE WRITTEN PERMISSION OF ORBETRON LLC IS PROHIBITED.			SHEET SIZE B

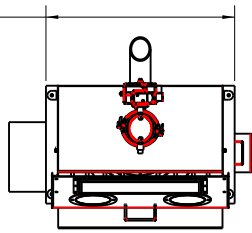
NOTES:



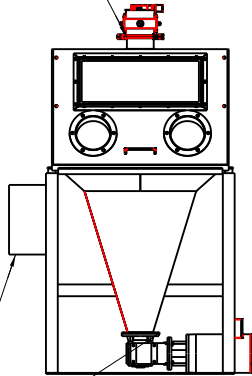
THIRD ANGLE PROJECTION	SCALE 1:32	MATERIAL 304-STL STL HEAT TREAT	PART NAME	OBBS-A8CF	
	FINISH <input checked="" type="checkbox"/>		DR: DRB		
<p>PROPRIETARY: THE INFORMATION CONTAINED IN THIS DOCUMENT IS THE SOLE PROPERTY OF ORBETRON LLC. ANY REPRODUCTION IN PART OR AS A WHOLE WITHOUT THE WRITTEN PERMISSION OF ORBETRON LLC IS PROHIBITED.</p>			DWN: BY	DATE	CHKD:
			APP'D:	SUPERSEDES	
			NUMBER REQ'D:	ITEM NO.	SHEET SIZE
			NEXT ASSEMBLY	NUMBER	
REVISION					B

NOTES:

[32.00]
812.80



BUTTERFLY VALVE

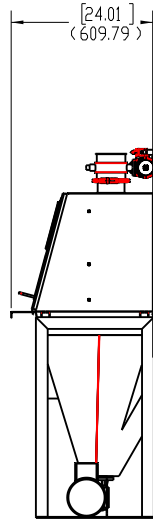


CONTROL PANEL

CIRCULAR FLANGE

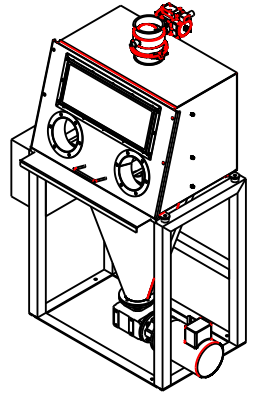
RIGHT ANGLE DIRECT DRIVE MOTOR


[24.01]
(609.79)



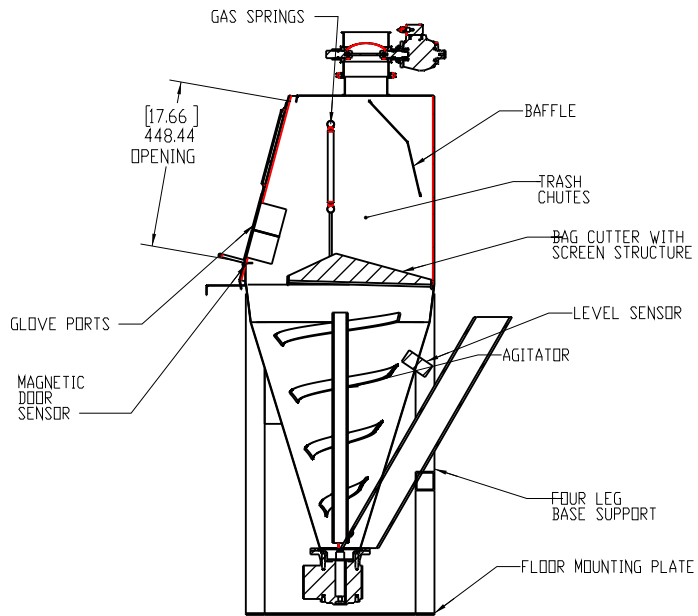
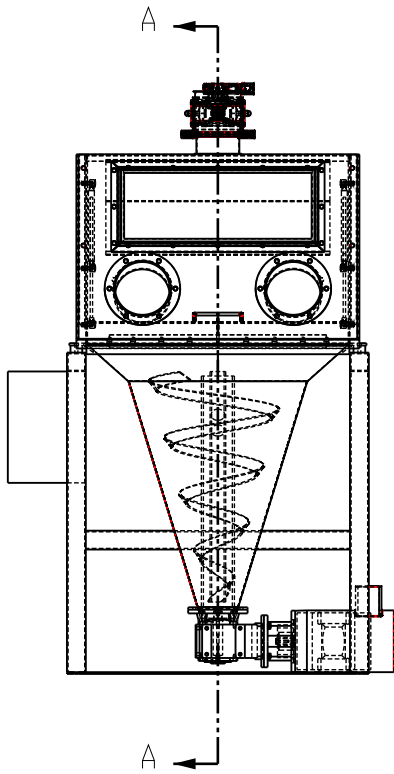
TUBE INSERT FOR WAND

[62.46]
(1586.50)



THIRD ANGLE PROJECTION	SCALE 1:16	MATERIAL 304 STN STL HEAT TREAT	PART NAME OBBS-CAG8CF	
FINISH ✓			FOR: DRB	
			DNW. BY	DATE
			APP'D.	SUPERSEDES
<small>PROPRIETARY: THE INFORMATION CONTAINED IN THIS DOCUMENT IS THE SOLE PROPERTY OF ORBETRON LLC. ANY REPRODUCTION IN PART OR AS A WHOLE WITHOUT THE WRITTEN PERMISSION OF ORBETRON LLC IS PROHIBITED.</small>			NUMBER REQ'D.	ITEM NO.
			NEXT ASSEMBLY	NUMBER
			REVISION	
				SHEET SIZE B

NOTES:



SECTION A-A
SCALE 1 : 10

ALL DIMENSIONS IN INCHES UNLESS OTHERWISE NOTED DO NOT SCALE DWG. BREAK ALL SHARP CORNERS UNLESS OTHERWISE SPECIFIED TOLERANCE UNLESS NOTED: ONE PLACE (XXX) ±.020 TWO PLACE (XXX) ±.010 THREE PLACE (XXXX) ±.005 FOUR PLACE (XXXXX) ±.0005 FRACTIONAL (X/XX) ± 1/32 ANGLES ±	THIRD ANGLE PROJECTION	SCALE 1:20	MATERIAL 304 STN STL FINISH <input checked="" type="checkbox"/> HEAT TREAT	PART NAME BAG BREAK STATION - TYPE 3	
		FOR: ORB	DWN. BY: MJT	DATE: 7-14-16	CWR:
PROPRIETARY: THE INFORMATION CONTAINED IN THIS DOCUMENT IS THE SOLE PROPERTY OF ORBETRON LLC. ANY REPRODUCTION IN PART OR AS A WHOLE WITHOUT THE WRITTEN PERMISSION OF ORBETRON LLC IS PROHIBITED.		APP'D:	SUPERSEDES:	NUMBER REQ'D: 2	ITEM NO. NUMBER
NEXT ASSEMBLY				ORB0024-129	SHEET SIZE B
REVISION 1					